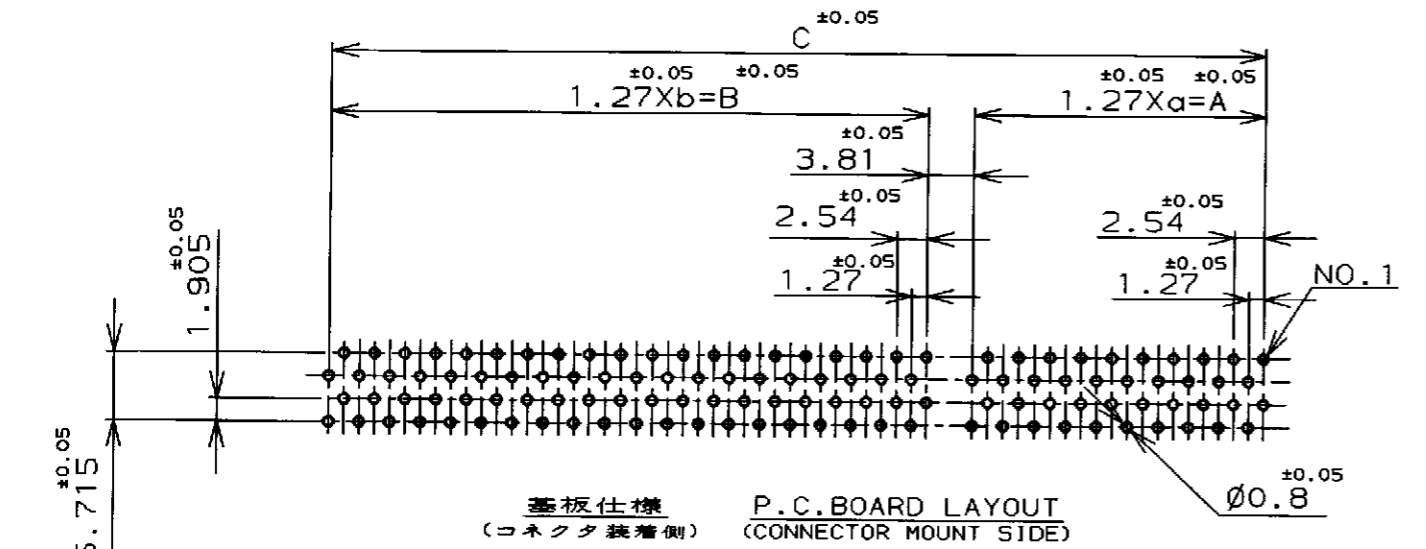
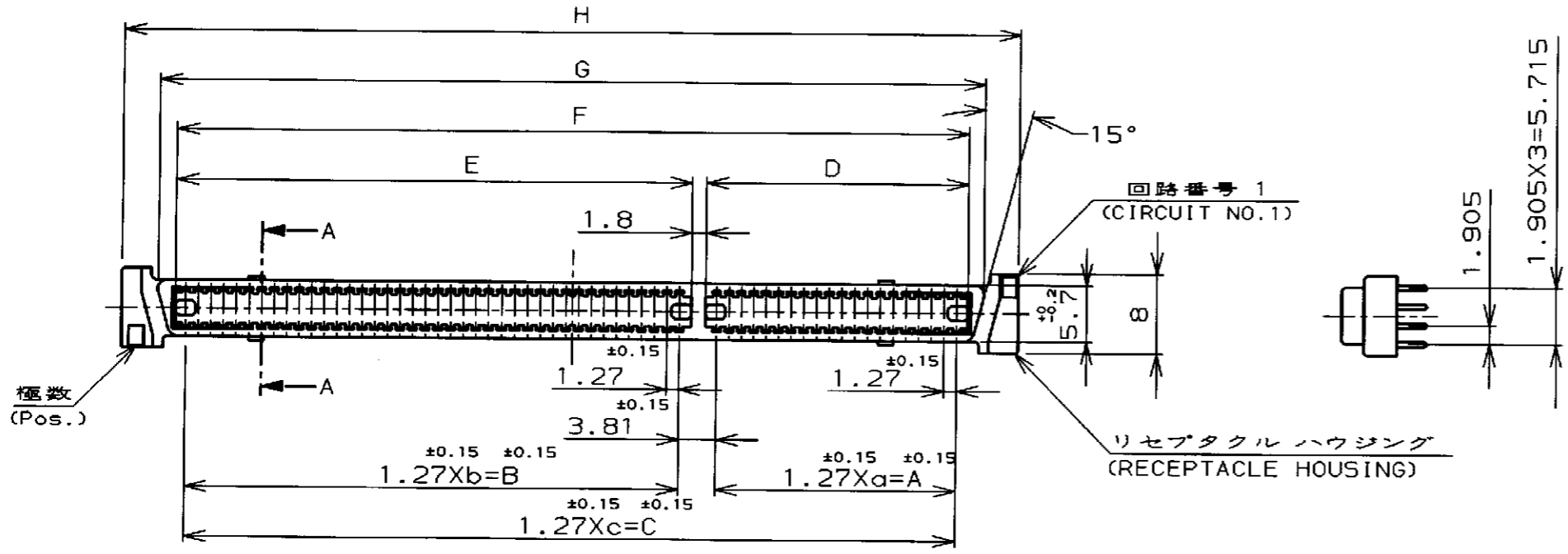
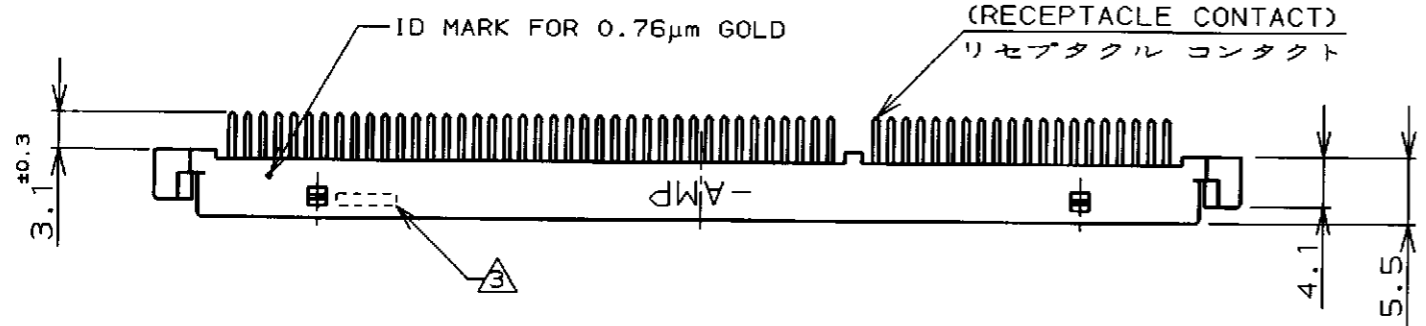
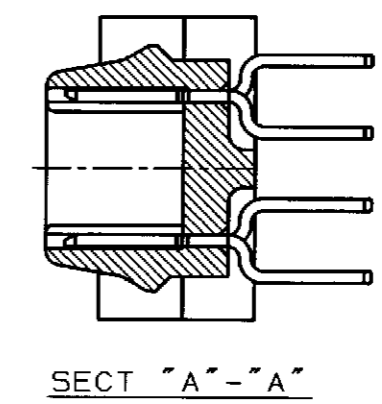


| P | LTR | DESCRIPTION      | ECN          | DATE      | DWN | APVD |
|---|-----|------------------|--------------|-----------|-----|------|
| A |     | REDRAWN W/CHANGE | FJ00-0493-98 | 30/MAR/98 | S.T | H.R  |



注記：  
 △ 材料：\*ハウジング：ガラス入り66ナイロン (UL 94V-0) 色、黒。  
 \*コンタクト：機青銅。  
 △ 表面仕上げ：  
 \*コンタクト：全面1.3µm以上のニッケル下地メッキに接触部0.3µm又は、0.76µm以上の金メッキ、脚部1µm以上の半田メッキ  
 △ デートコードを刻印する。

NOTE:  
 △ MATERIAL: HOUSING: GLASS FILLED 66 NYLON (UL 94V-0) BLACK.  
 CONTACT: PHOSPHOR-BRONZ.  
 △ FINISH: CONTACT: 0.3µm or 0.76µm MIN GOLD AT CONTACT AREA. 1µm MIN TIN-LEAD AT TINE. OVER 1.3µm MIN Ni UNDER PLATE.  
 △ INDICATE DATE CODE.



|    |       |    |       |   |        |       |       |        |        |        |             |      |            |
|----|-------|----|-------|---|--------|-------|-------|--------|--------|--------|-------------|------|------------|
| 29 | 36.83 | 49 | 62.23 | — | 102.87 | 38.83 | 64.23 | 104.87 | 107.96 | 115.49 | 0.76µm      | 160  | 2-917616-7 |
| a  | A     | b  | B     | c | C      | D     | E     | F      | G      | H      | THK OF GOLD | Pos. | P/N        |

THIS DRAWING IS A CONTROLLED DOCUMENT FOR AMP INCORPORATED. IT IS SUBJECT TO CHANGE AND THE CONTROLLING ENGINEERING ORGANIZATION SHOULD BE CONTACTED FOR THE LATEST REVISION.

DWN: S. TODA 24/MAR/98  
 CHK: H. RODANA 30/MAR/98  
 APVD: H. Rodana 30/MAR/98

**AMP** 日本アール・エム・シー株式会社  
 Kawasaki, Japan

NAME: AMP FH CONNECTOR RECEPTACLE (VERTICAL) FOR 8mm STACKING

PRODUCT SPEC: 108-5309  
 APPLICATION SPEC: 取付適用規格

SIZE: A3 CAGE CODE: 00779 DRAWING NO: 917616  
 RESTRICTED TO: [ ]

MATERIAL: [ ] FINISH: [ ] WEIGHT: [ ]

CUSTOMER DRAWING SCALE: NOT SCALE SHEET: 1 OF 1 REV: A